

To: **Sales Department**
Re: **Trolley Cover Quotation**

Company: **NEWFOUND DISTRIBUTORS**
Fax No: **07 3286 7729**
Email: **sales@newfound.com.au**

PLEASE SUPPLY QUOTATION ON THE FOLLOWING TROLLEY COVER(S) :

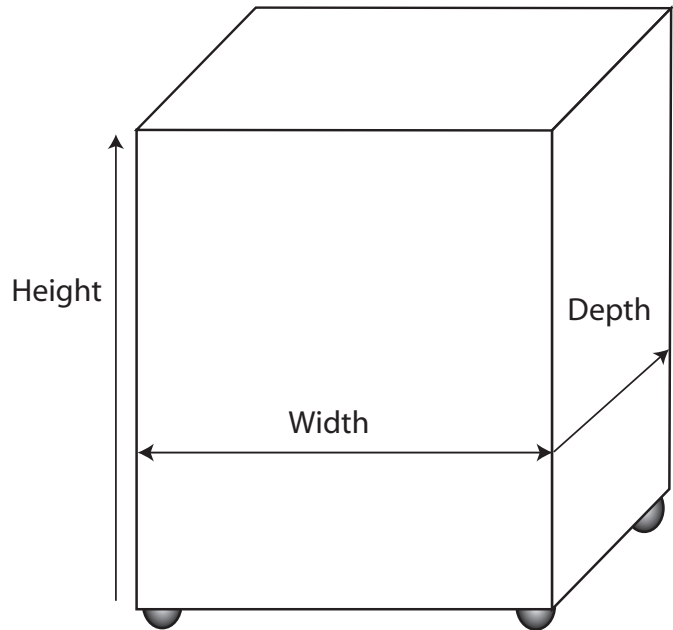
Facility Name:

Facility Address:

Contact Person:

Phone No:

Fax No:



INSTRUCTIONS:

- Measure to outside extremities
- Measure to above wheels
- Measure in millimeters
- If the trolley has handles, measure from top of trolley to handle and measure size of handle
- Draw any openings in on the diagram and specify zips, or straps & buckles

Trolley #	Height	Width	Depth
1			
2			
3			
4			
5			